



- three-phase three line AC 380VAC/440VApower supply noise filter
- Rated current: 30A-35A
- Small size, easy to install

## Specification

- Rated Voltage: 220~440VAC
- working frequency: 50/60HZ
- working frequency: 30A-35A
- High potential test voltage: 2750 VAC (line/ground)
- High potential test voltage: -25°C ~85°C
- Certificate: CE,ROHS
- Fire resistance: UL 94V-0

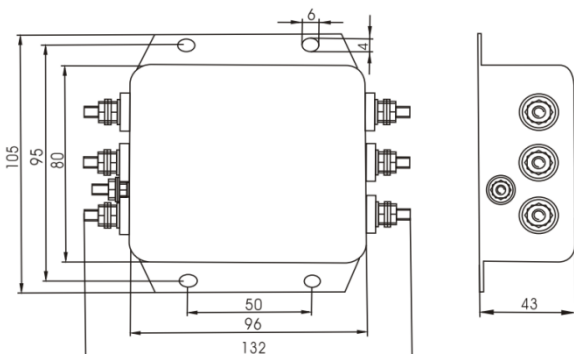
## Characteristic

- Small size, high quality, cheap price.
- With high quality capacitor and High permeability Mn-Zn ferrite magnetic ring, excellent performance.
- It is good effective to solve the high frequency interference of 10Mhz to 30MHZ.
- There are a variety of parts combination collocation, to meet the requirement for testing different equipment.
- Can be customize according to customer requirements.

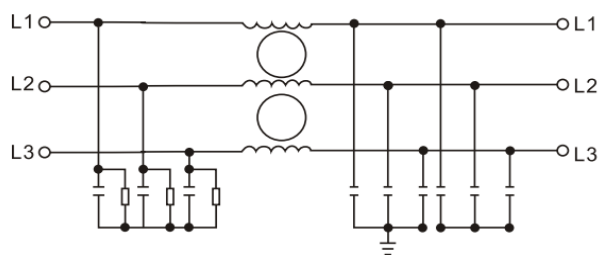
## Application

- Three-phase system power supply
- power electronic equipment
- All kinds of three-phase system

## Products size



## Electric schematic



## Specification

Model No. (A)	Rated current(A)	leakage current(mA)	Inductance (mH)	Capacitor		Resistor [k Ω]	Weight (g)
				Cx [pF]	Cy [nF]		
DAC3-30A	30	≤0.5	1.2	0.22	3.3	1000	780g
DAC3-35A	35	≤0.5	0.9	0.22	3.3	1000	780g

## Insertion loss

Insertion Specification		Frequency (MHz)					
		0.15	0.5	1	5	10	30
DAC3-30A/35A	Common mode (dB)	30	44	55	54	55	60
	Differential mode (dB)	20	46	65	61	59	50

## Insertion Loss

———— ( Common Mode )      - - - - - ( Differential Mode )

