

## DAC41 Series EMI power noise filters



### Features

- Three Phase AC 380/440VAC EMI Filters/Noise Filters
- Rated Current: 6A---30A
- Double filter circuit design
- In the 100Khz-30Mhz frequency band, it has very good common mode and differential mode interference suppression capabilities

Application cases of three-phase power filter series products:

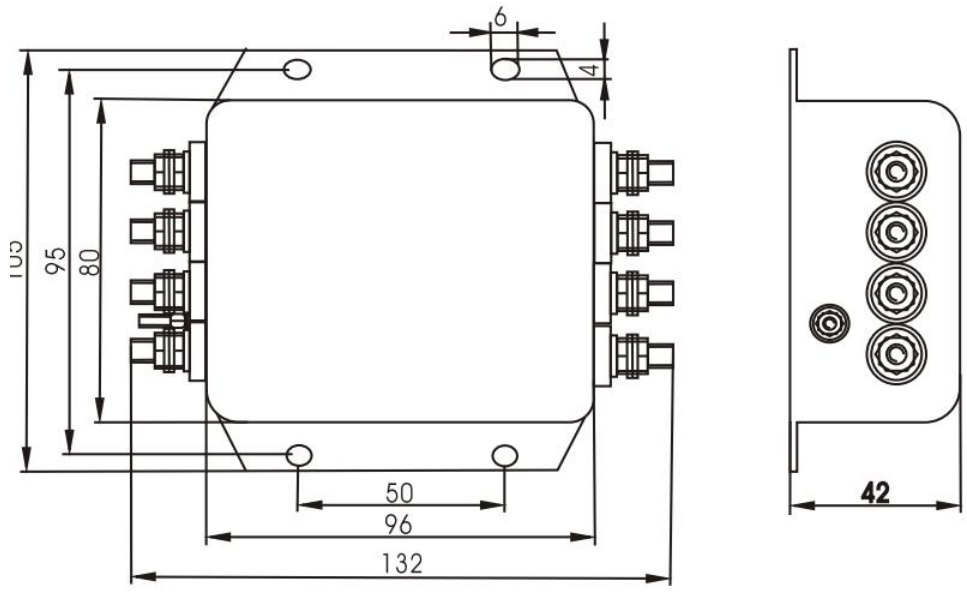
This series of products produced by our company are characterized by standard filter circuit design, small size, low price, and good performance in solving high frequency interference of 1mhz-30mhz. They have been widely used in all kinds of three-phase system switching power supply, ups and other electronic power equipment, distribution cabinet, and other three-phase electronic power equipment and other complex electromagnetic interference environment equipment, so as to ensure the normal and safe operation of these equipment, effectively reduce the failure rate of equipment, reduce the interference of high-frequency signal to peripheral equipment and power grid, and provide your EMC service Radiation test escort.

Rated voltage	380/440VAC
Line Frequency	50/60Hz
Test Voltage	1500VDC (line/line) 2750VAC (line/ground)
Insulation Resistance	>50MΩ@500VDC
Climatic category	25/085/21

### List of general products

Part No.	Rated Current	Leakage Current	Dimension	Electrical Schematics	Safety certification	Remark
DAC41-6A	6A	<2.0mA	A4		CE, ROHS	Parameters support customization
DAC41-10A	10A	<2.0mA	A4			
DAC41-20A	20A	<3.0mA	A4			
DAC41-30A	30A	<3.0mA	A4			

Outline Drawing and Dinensions(mm)



Insertion Loss

———— ( Common Mode )    - - - - - ( Differential Mode )

