

DAI1 Series EMI power noise filters



Features

- Single Phase AC 220V EMI Filters/Noise Filters
- Rated Current: 1A---10A
- pin interface design
- EMI Filter with a good suppression to common-mode and differential-mode interference

Product introduction

DAI1 Series EMI power line noise filter is made of high-quality manganese-zinc ferrite magnetic rings and capacitors, and has first-class process quality and good performance. This series of products produced by our company are characterized by Standard IEC socket input interface, modular design, small volume, low price, and good performance in solving high frequency interference of 1mhz-30mhz.

And it is an emi filter with good suppression of common mode and differential mode interference. This product is simple in design, but has better performance, convenient connection, convenient use and low price. DAI1 Series EMI power line noise filter is very popular overseas market, and many customers all over the world contact us for bulk purchase. Our products are of high quality and affordable. We are also a professional manufacturer in China. Our MOQ is not high. If you need samples, you can contact us first. We will provide samples for you to check the quality.

Application cases

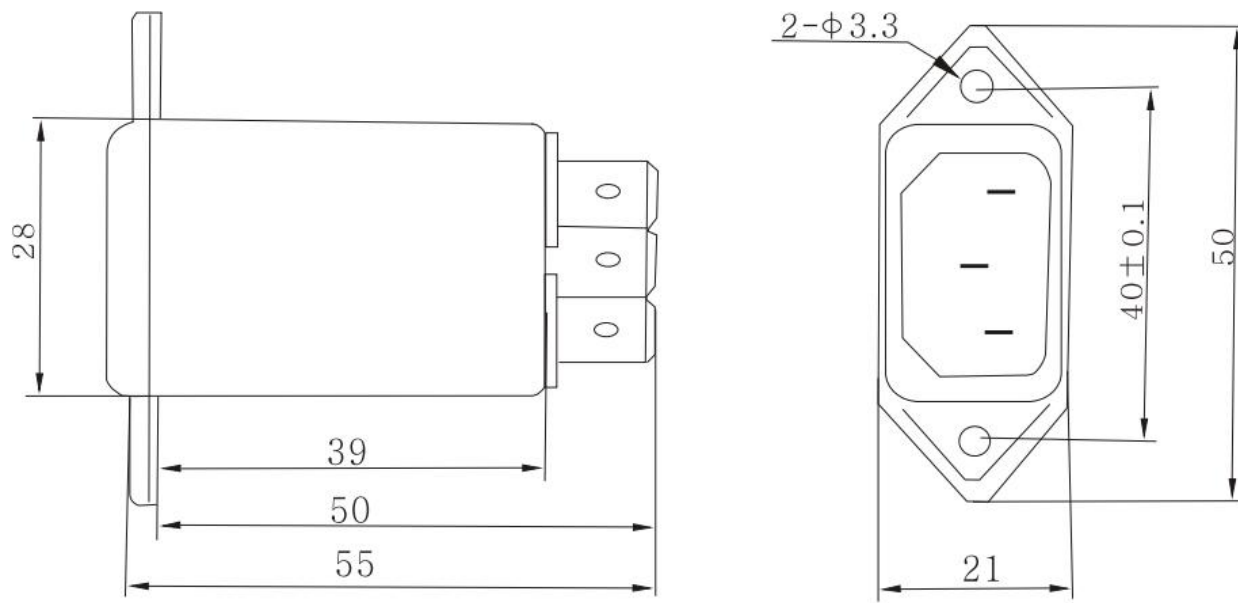
■ They have been widely used in a variety of electrical appliances, testing equipment, medical equipment, animation entertainment game machine, fire protection system, urban security monitoring system, audio equipment, and other equipment in complex electromagnetic interference environment, so as to ensure the normal and safe operation of these equipment, effectively reduce the failure rate of equipment, reduce the interference of high-frequency signal to peripheral equipment and power grid, and provide reference for the development of power grid Your EMC conducted radiation test escort.

Rated voltage	115/250VAC
Line Frequency	50/60Hz
Test Voltage	1500VDC (line/line)
	2150VAC (line/ground)
Insulation Resistance	>50MΩ@500VDC
Climatic category	25/085/21

List of general products

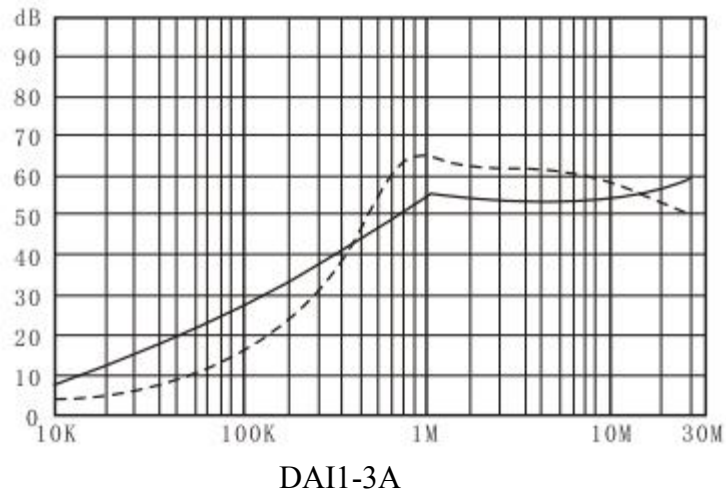
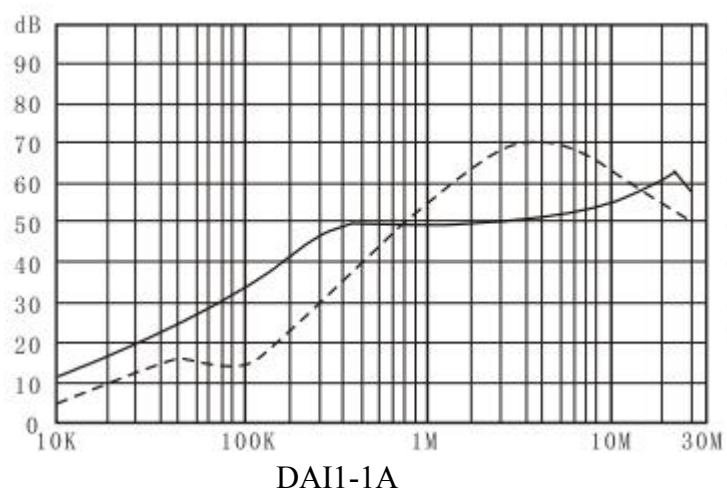
Part No.	Rated Current	Leakage Current	Electrical Schematics	Safety certification	Remark
DAI1-1A	1A	<0.5mA		CUL, CE CQC,ROHS	Parameters support customization
DAI1-3A	3A	<0.5mA			
DAI1-6A	6A	<0.5mA			
DAI1-10A	10A	<0.5mA			

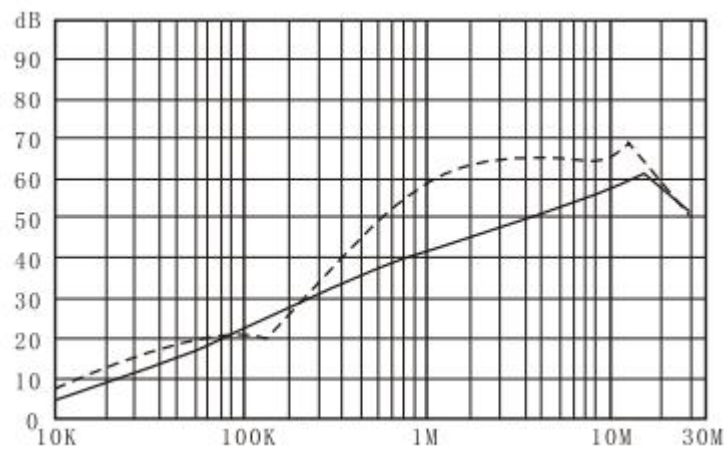
Outline Drawing and Dinensions(mm)



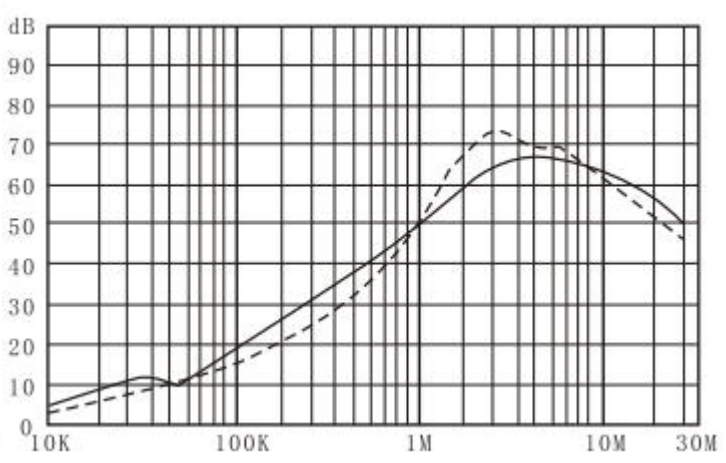
Insertion Loss

— (Common Mode) - - - - (Differential Mode)





DAI1-6A



DAI1-10A