



- Single phase AC 220VAC power noise filter
- Rated current: 1A---20A
- Power line、6.3*0.8 plug and screw
- DC equipment noise filter (D)

Specification

- Rated Voltage: 110VAC-250VAC
- Working frequency: 50/60HZ
- Rated Current: 1A-20A
- Withstand test voltage: 1750VAC
- Temperature range: -25°C~85°C
- Certificate: CQC,CE,ROHS
- Fire resistance: UL 94V-0

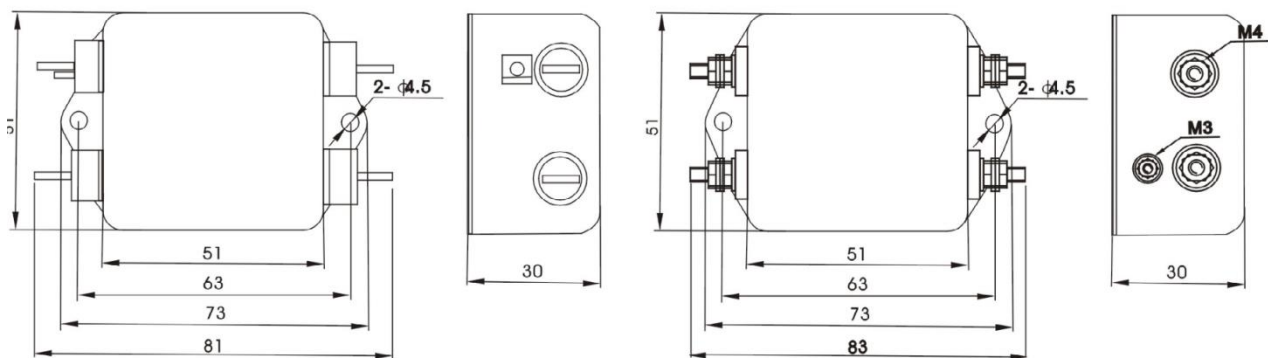
Characteristic

- Screw or 6.3*0.8mm plug connect, easy to install.
- With high quality capacitor and High permeability Mn-Zn ferrite magnetic ring, excellent performance.
- It is good effective to solve the high frequency interference of 100Khz-30MHZ.
- There are a variety of parts combination collocation, to meet the requirement for testing different equipment.
- Can be customize according to customer requirements.

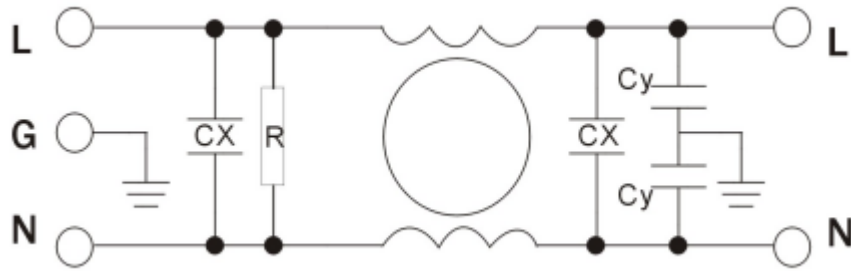
Application

- Industrial control system
- Medical equipment
- Lighting equipment
- Laser cutting system

Products size



Electric schematic



Specification

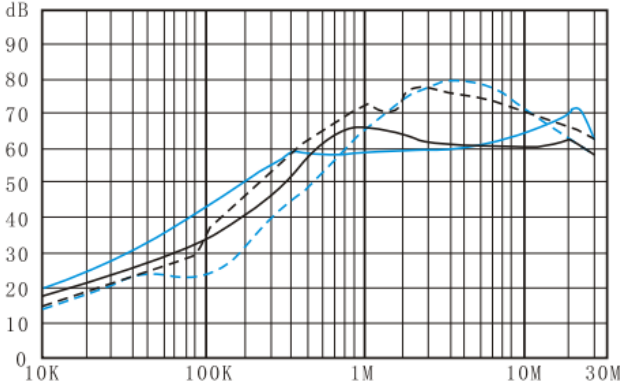
Model No. (A)	Rated current(A)	leakage current(mA)	Inductance (mH)	Capacitor		Resistor [k Ω]	Weight (g)
				Cx [pF]	Cy [nF]		
DBA3-1A	1	≤0.5	10.0	0.22	2.2	1000	140g
DBA3-3A	3	≤0.5	5.0	0.22	2.2	1000	140g
DBA3-6A	6	≤0.5	3.5	0.22	2.2	1000	140g
DBA3-10A	10	≤0.5	1.8	0.22	2.2	1000	140g
DBA3-20A	20	≤0.5	0.6	0.22	2.2	1000	140g

Insertion loss

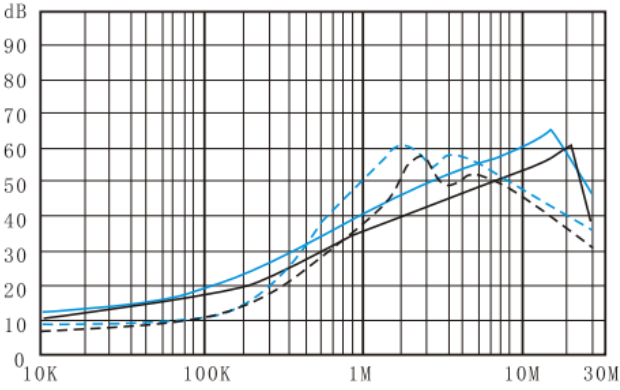
Specification	dB	Frequency (MHz)					
		0.15	0.5	1	5	10	30
DBA3-1A	Common mode	46	59	60	61	64	64
	Differential mode	25	48	65	80	70	58
DBA3-3A	Common mode	36	57	66	61	60	59
	Differential mode	41	62	72	76	70	63
DBA3-6A	Common mode	22	32	40	53	60	48
	Differential mode	14	31	50	58	48	37
DBA3-10A	Common mode	19	25	37	47	53	39
	Differential mode	13	25	38	50	46	31

Insertion Loss

———— (Common Mode) - - - - - (Differential Mode)



DBA3-1A / DBA3-3A



DBA3-6A / DBA3-10A