

DBA3 Series EMI power noise filters



Features

- Single Phase AC 220V EMI Filters/Noise Filters
- Rated Current: 1A--20A
- General purpose, This product is cheap
- EMI Filter with a good suppression to common-mode and differential-mode interference

Product introduction

DBA3 series EMI power line noise filter is made of high-quality Mn Zn ferrite magnetic ring and capacitor, with first-class process quality and excellent performance. There are two connection modes: 1. Bolt connection; 2. Standard 6.3 * 0.8mm 250 type plug-in interface; material parameters can be customized. It is an EMI filter with good common mode and differential mode interference suppression ability DBA3 series EMI power line noise filter is very popular in overseas market. Many customers all over the world contact us for bulk purchase. Our products are of high quality and affordable price. We are also a professional manufacturer in China. Our minimum order is not high. If you need samples, please contact us first. We will provide samples for you to check the quality.

Application cases

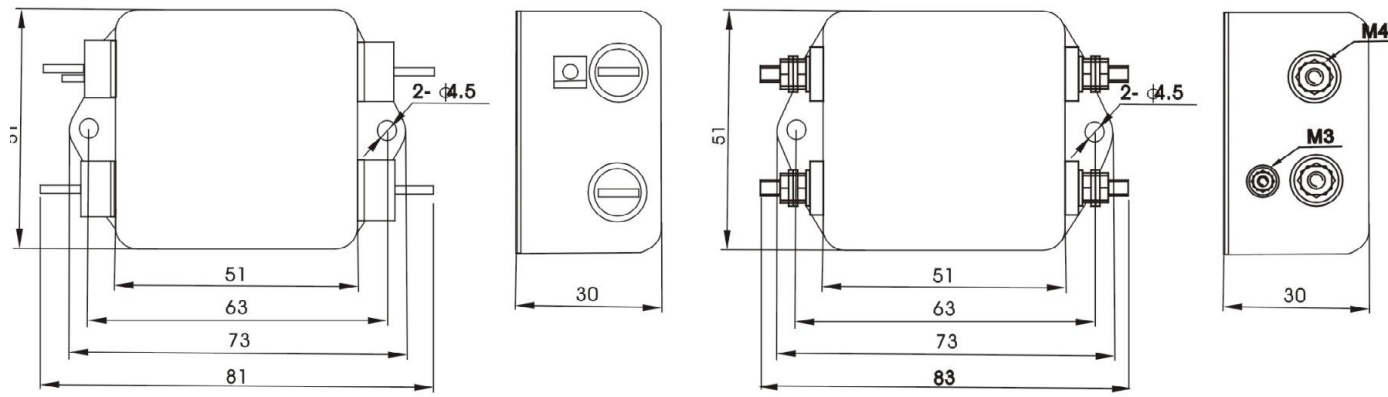
- This series of products are widely used in various LED lighting systems, stage lighting systems, disinfection and purification equipment, laser cutting equipment, industrial automation robot, medical equipment, fitness equipment and other small industrial automation equipment.

Rated voltage	115/250VAC
Line Frequency	50/60Hz
Test Voltage	1500VDC (line/line) 2150VAC (line/ground)
Insulation Resistance	>50MΩ@500VDC
Climatic category	25/085/21

List of general products

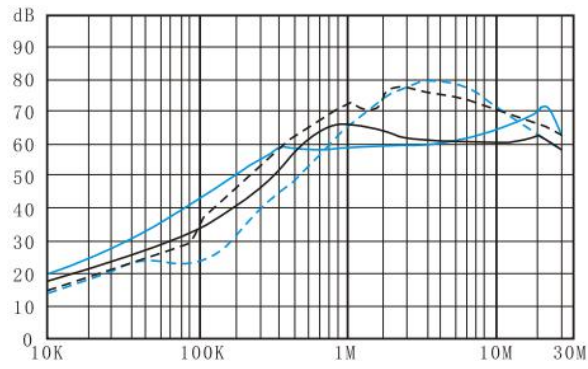
Part No.	Rated Current	Leakage Current	Dimension	Terminal		Electrical Schematics	Safety certification	Remark
				Input	Output			
DBA3-1A	1A	<0.5mA	A1	Terminal	Terminal		CUL, CE CQC,ROHS	Parameters support customization
DBA3-3A	3A	<0.5mA	A1	Terminal	Terminal			
DBA3-6A	6A	<0.5mA	A1	Terminal	Terminal			
DBA3-10A	10A	<0.5mA	A1	Bolt/Terminal	Bolt/Terminal			
DBA3-20A	20A	<0.5mA	A1	Bolt/Terminal	Bolt/Terminal			

Outline Drawing and Dinensions(mm)

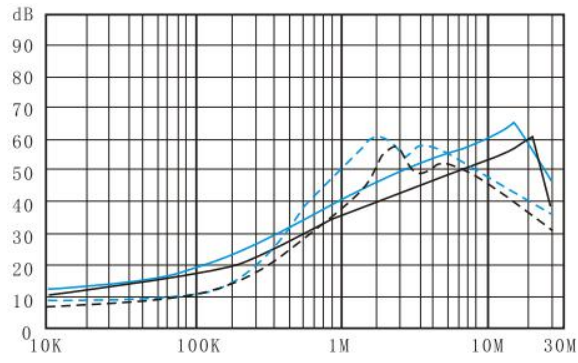


Insertion Loss

———— (Common Mode) - - - - - (Differential Mode)



DBA3-1A / DBA3-3A



DBA3-6A / DBA3-10A