

# DEB1 Series EMI power noise filters



## Features

- Single Phase AC 220V EMI Filters/Noise Filters
- Rated Current: 1A--6A
- Double filter circuit design, Wire connection, easy and fast installation
- In the 10Khz-30Mhz frequency band, it has very good common mode and differential mode interference suppression capabilities

## Product introduction

This series of products produced by our company have very good suppression effect on 10khz-30mhz differential mode interference and common mode interference, low price, good performance, support various parameter customization; Wire connection, easy and fast installation, which are convenient to use and fast to install. It has a very good performance to solve the high frequency interference of 10khz-30mhz.

## Application cases

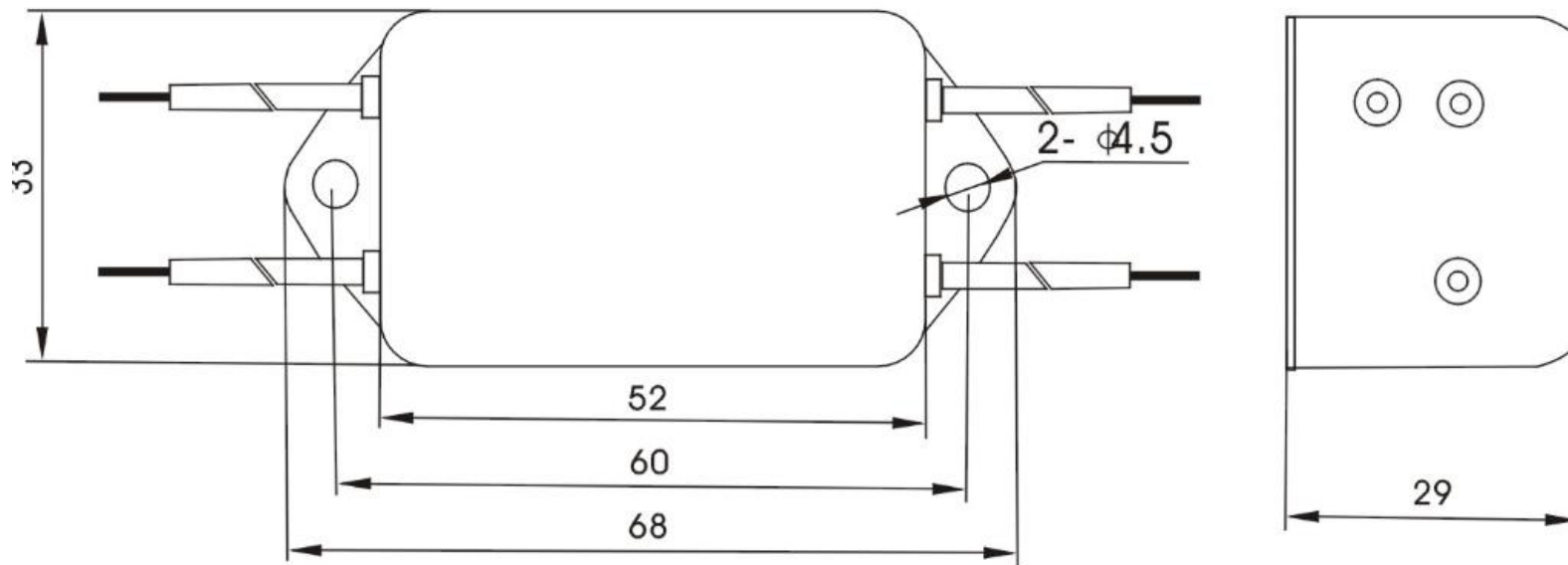
They have been widely used in various electrical appliances, testing equipment, medical equipment, fire protection system, laser cutting equipment, urban security monitoring system, stage lighting equipment, power grid control system, LED lighting drive system, industrial automation robot and other complex electromagnetic interference environment equipment, to ensure the normal and safe operation of these equipment, effectively reduce equipment failure It can reduce the interference of high frequency signal to peripheral equipment and power grid, and protect your EMC conducted radiation test.

Rated voltage	115/250VAC
Line Frequency	50/60Hz
Test Voltage	1500VDC (line/line)
	2150VAC (line/ground)
Insulation Resistance	>50MΩ@500VDC
Climatic category	25/085/21

## List of general products

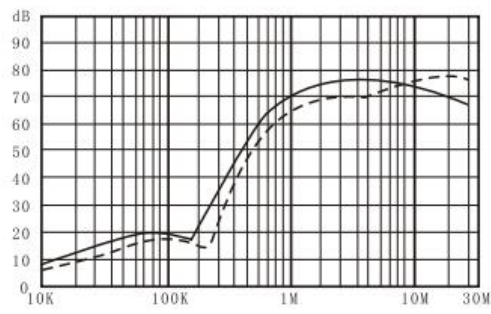
Part No.	Rated Current	Leakage Current	Dimension	Terminal		Electrical Schematics	Safety certification	Remark
				Input	Output			
DEB1-1A	3A	<2.0mA	A4	Wire	Wire		CUL, CE CQC, ROHS	Parameters support customization
DEB1-3A	6A	<2.0mA	A4	Wire	Wire			
DEB1-6A	10A	<2.0mA	A4	Wire	Wire			

## Outline Drawing and Dinemnsions(mm)

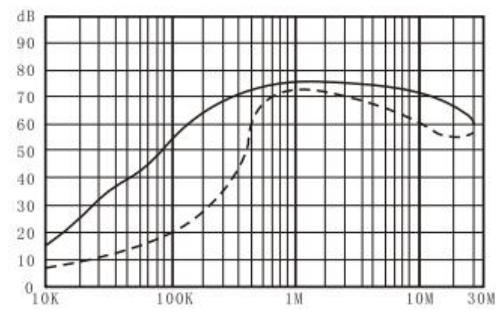


## Insertion Loss

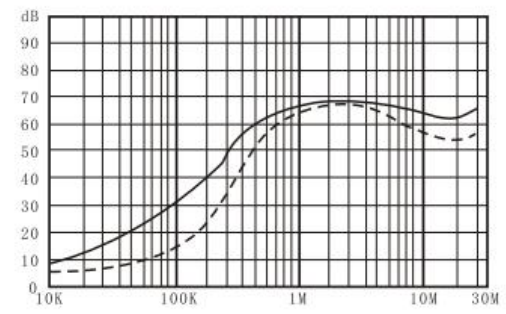
———— ( Common Mode )    - - - - - ( Differential Mode )



DEB1-1A



DEB1-3A



DEB1-6A